

AXOR Montreux

Axor Montreux Wall-Mounted Widespread Faucet Trim with Cross Handles, 1.2 GPM

Finishes : **chrome** Part no. : **16532001**



Description

Features

- Aerated spray
- Flow: 1.2 GPM
- 90° ceramic valves
- Pop-up assembly not included

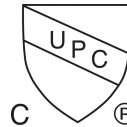
Item details

List Price \$ 840.00

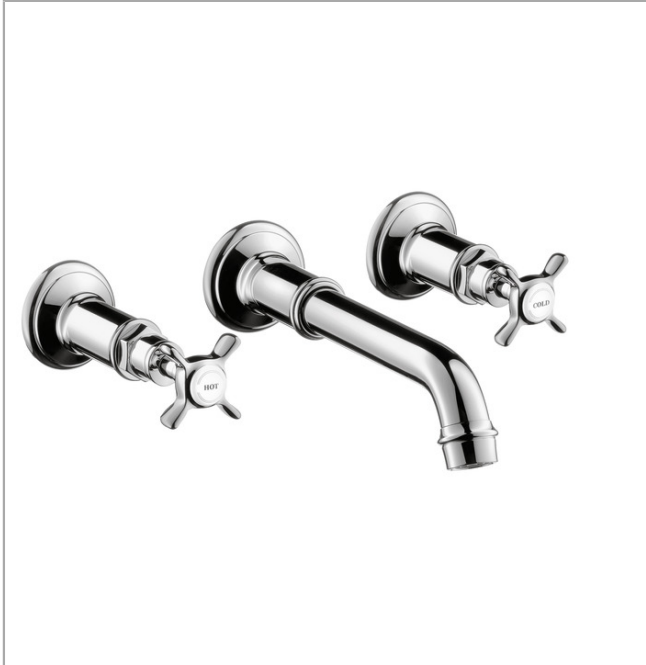
Technology



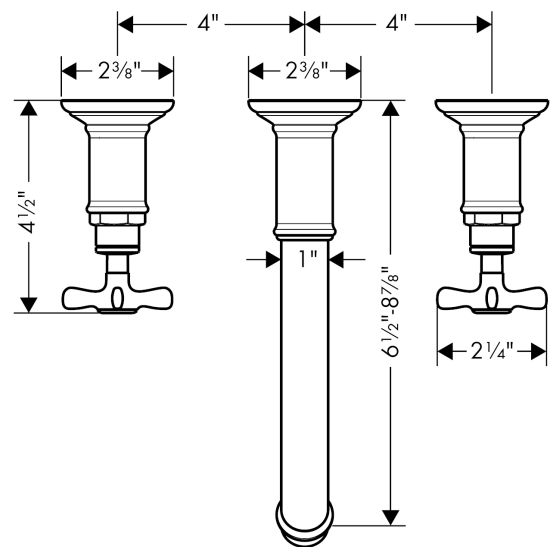
Compliance



Product image



Scale drawing



AXOR Montreux

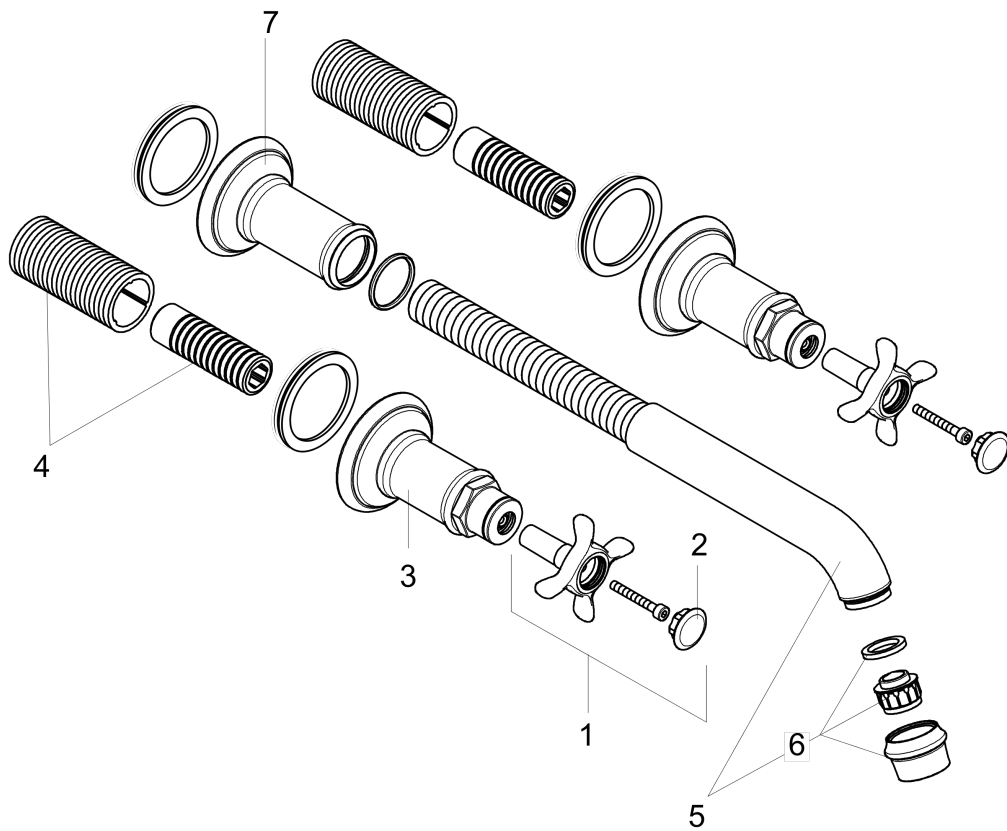
Axor Montreux Wall-Mounted Widespread Faucet Trim with Cross Handles, 1.2 GPM

Finishes : **chrome** Part no. : **16532001**



Exploded drawing

Year of production: >07/16



AXOR Montreux

Axor Montreux Wall-Mounted Widespread Faucet Trim with Cross Handles, 1.2 GPM

Finishes : **chrome** Part no. : **16532001**



Spare parts list

Year of production: >07/16

Pos.	Description	Part no.	Price	PU
1	handle	16291000	-	1
2	set of screw covers, cold / hot water / neutral	97987000	-	1
3	escutcheon for handle	98578000	-	1
4	fixing set	96392000	-	1
5	spout cpl.	98574000	-	1
6	aerator M22x1 (7 l/min)	98583000	-	1
7	escutcheon for spout	98576000	-	1
a	base body	10303181	-	1
b	mounting-set V+B	96142000	-	1